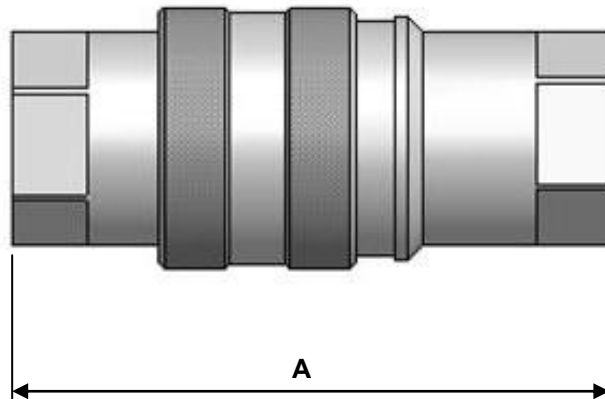
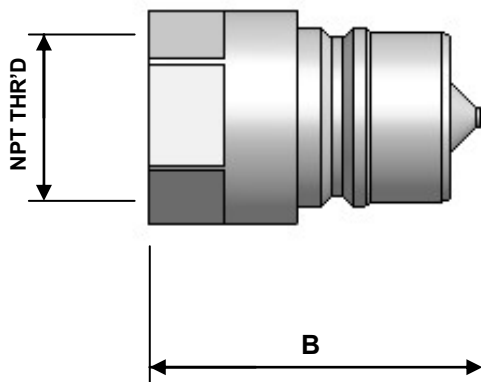


## QR45 HIGH PRESSURE QUICK RELEASE COUPLING

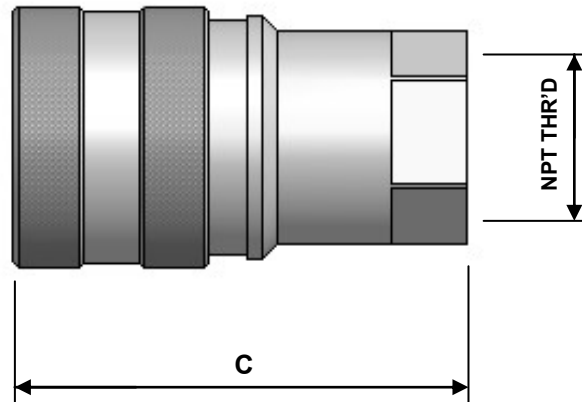
### MATED COUPLING



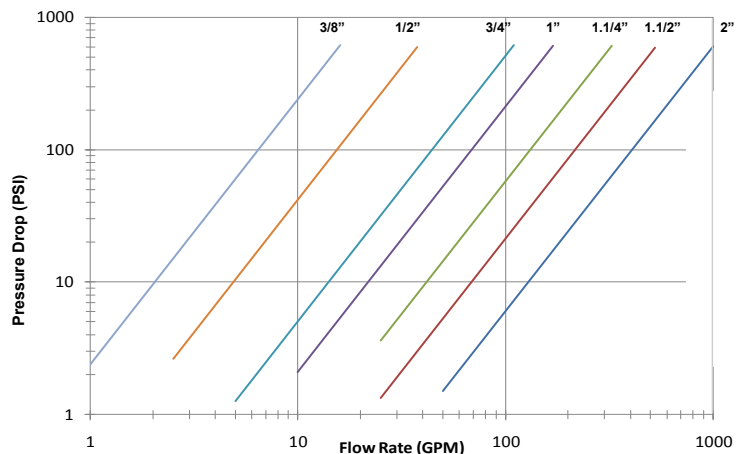
### MALE COUPLING



### FEMALE COUPLING



- Full range of elastomeric seals available to suit service
- Also available with BSPT connections
- Other materials available on request
- Completely serviceable, all components can be replaced



COUPLING SIZE	FEMALE COUPLING PART NO.	MALE COUPLING PART NO.	MAX OPERATING PRESSURE ST ST 316		MAX OPERATING PRESSURE CARBON STEEL		NPT FEM THRD	A	B	C	D
3/8	QR45AFBC5-06	QR45AMBC5-06	3500 psi	241 bar	4500 psi	310 bar	3/8"	3.640"	1.909"	2.927"	0.875"
1/2	QR45AFBC5-08	QR45AMBC5-08	3500 psi	241 bar	4500 psi	310 bar	1/2"	4.330"	2.298"	3.360"	1.125"
3/4	QR45SAFBC5-12	QR45SAMBC5-12	2500 psi	172 bar	3000 psi	207 bar	3/4"	5.000"	2.836"	3.800"	1.500"
1	QR45SAFBC5-16	QR45SAMBC5-16	2500 psi	172 bar	1750 psi	120 bar	1"	6.005"	3.414"	4.500"	1.875"
1 1/4	QR45SAFBC5-20	QR45SAMBC5-20	1000 psi	70 bar	1500 psi	103 bar	1 1/4"	6.619"	3.818"	5.007"	2.250"
1 1/2	QR45SAFBC5-24	QR45SAMBC5-24	1000 psi	70 bar	1500 psi	103 bar	1 1/2"	7.894"	4.462"	5.842"	2.625"
2	QR45SAFBC5-32	QR45SAMBC5-32	800 psi	55 bar	500 psi	34 bar	2"	9.304"	5.437"	7.147"	3.250"